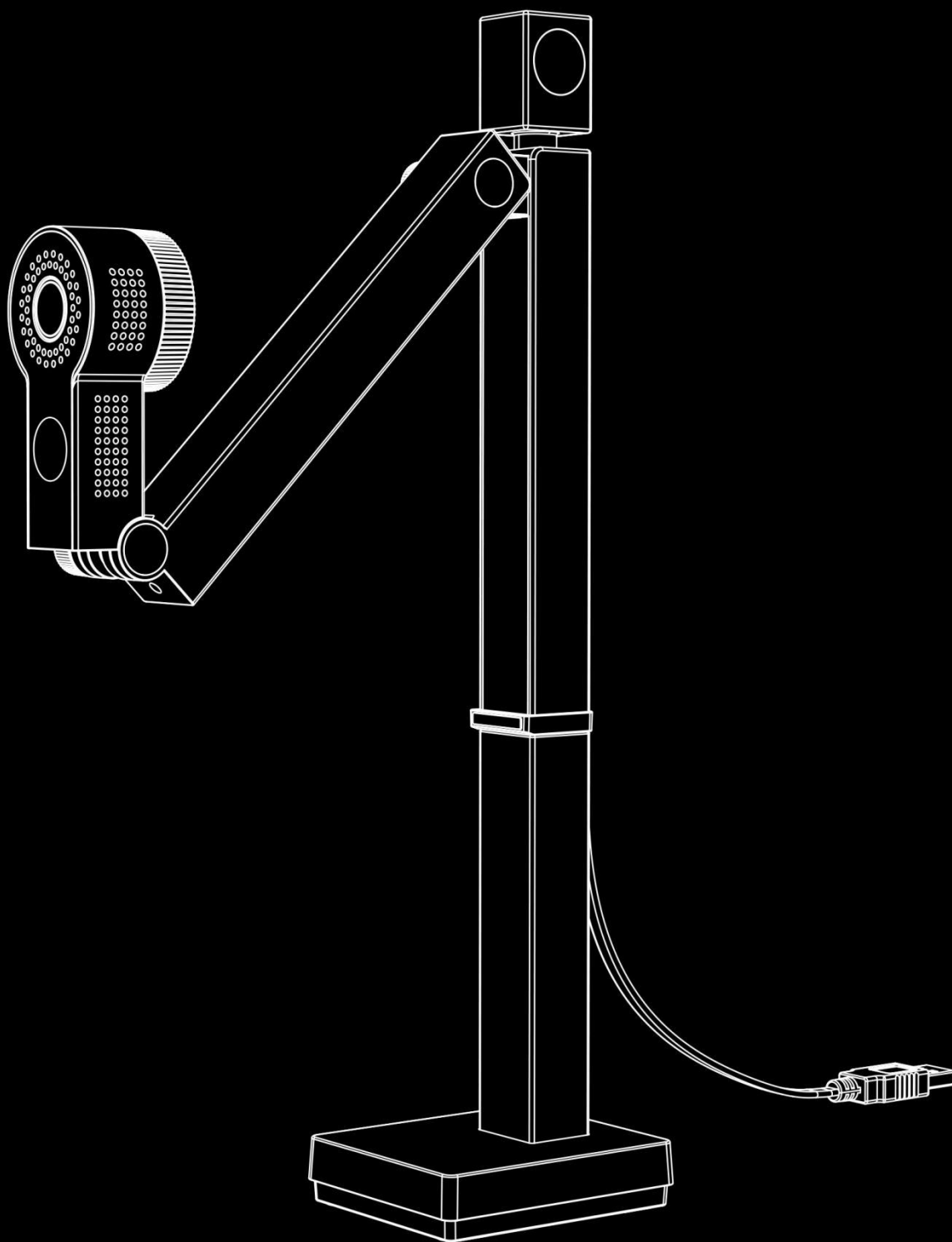


# Fancy Series User Manual



# Contents

<b>Chapter I Product Introduction .....</b>	<b>2</b>
1.1 Product Overview .....	2
1.2 Product Dimensions .....	2
1.3 Product Details .....	3
1.4 Product Parameters .....	4
1.5 Packaging and Accessories .....	5
<b>Chapter II Operation Guides .....</b>	<b>5</b>
2.1 Software Installation .....	5
2.2 Preparation before Use .....	5
<b>Chapter III FAQs and Troubleshooting .....</b>	<b>6</b>
3.1 The power indicator does not work. What can I do? .....	6
3.2 The software cannot be installed or an error occurs. What can I do? .....	6
3.3 The device cannot take photos normally. What can I do? .....	6
3.4 The images taken by the device are blurred. What can I do? .	7
<b>Chapter IV Service and Statement .....</b>	<b>7</b>
4.1 After Sales Services and Warranty .....	8
4.2 Contact .....	9

# Chapter I Product Introduction

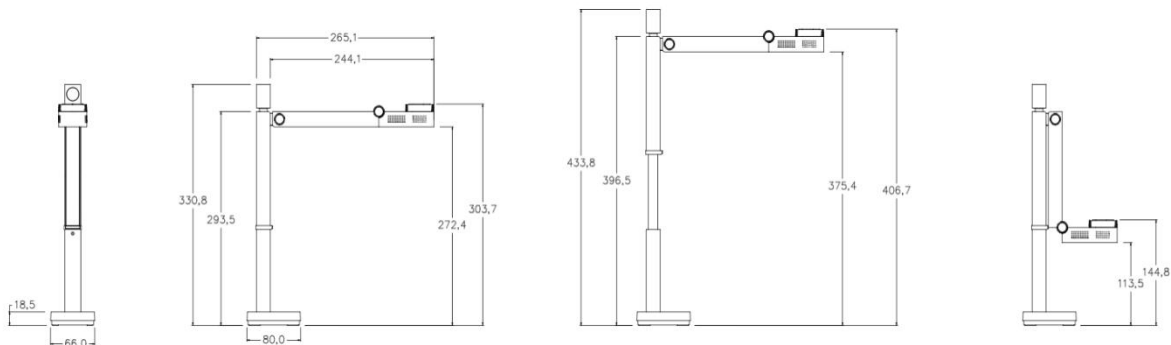
## Notice

Fancy compatible with 2 software,[CZUR Visualizer] must be installed, while [CZUR Fancy] is optional

## 1.1 Product Overview

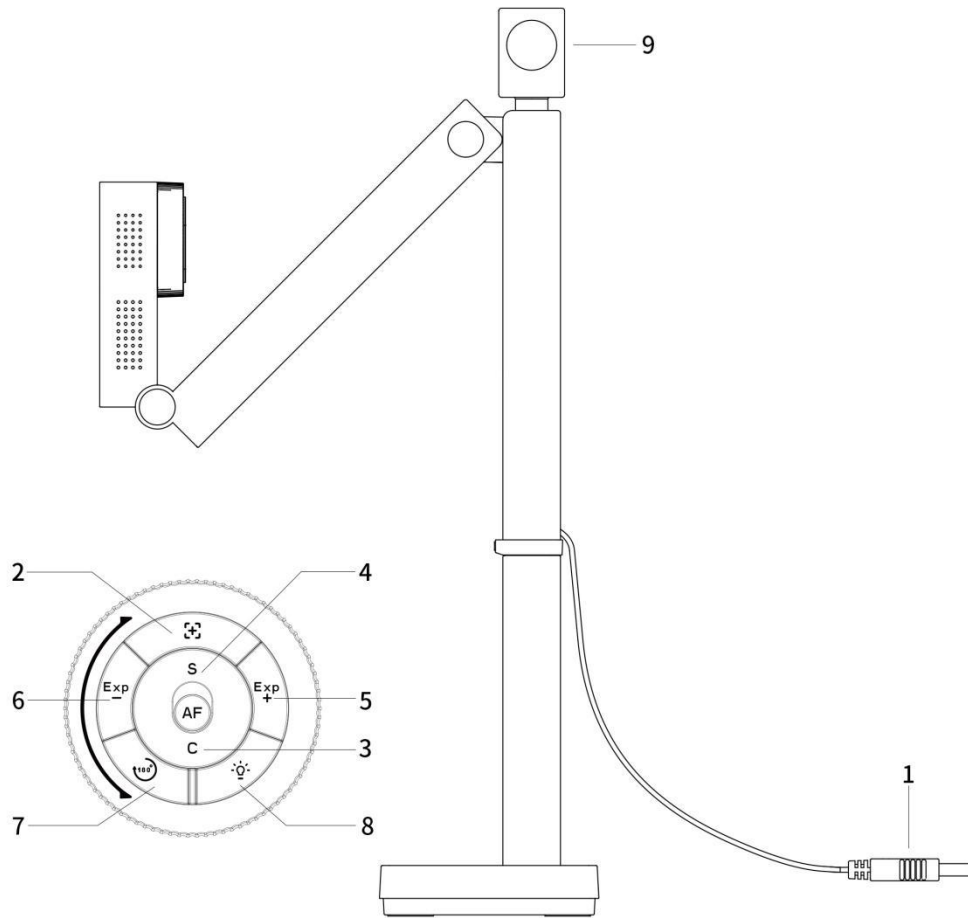
CZUR Fancy Document Camera is designed for High Frame Rate and High Definition streaming your work anytime and anyplace.Fancy captures, displays and records papers, books, 3D objects with amazing clarity thanks to its 8MP/12MP sensor.With the Max 60fps(1080p),Fancy ensures reliable connectivity for any classrooms and office.

## 1.2 Product Dimensions

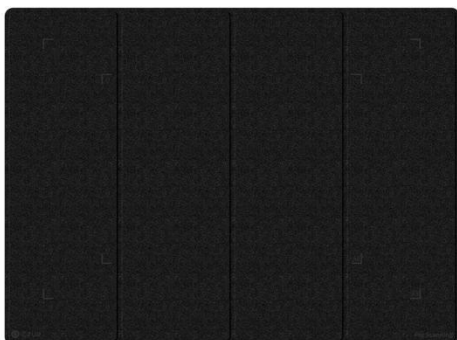


unit: mm

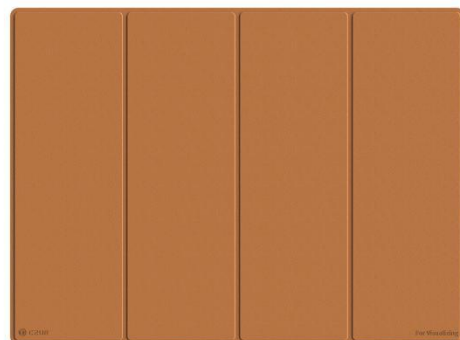
## 1.3 Product Details












Double-sided soft pad (optional)



Black side (for high-speed scanning)



Brown side (for visual presentation)

1.  :USB port: for connection with PC and data transmission
2.  :Manual Focus (click once to focus)
3.  :Auto Focus-Continuous,used when capturing moving objects
4.  :Auto Focus-Single,single area focus, used for capturing non moving object
5.  :Increase exposure value (increase brightness)
6.  :Decrease exposure value (decrease brightness)
7.  :180-degree mirror rotation (rotate the image 180 degrees)
8.  :3-level brightness adjustable
9.  :Secondary camera (optional), detachable 2MP secondary camera

## 1.4 Product Parameters

CZUR Fancy can be single-camera or dual-camera (the secondary camera is optional).

### Basic Parameters:

1. Main camera of 8MP or 12MP:  
8 MP (3264x2448), 12 MP (4000x3000).
2. Focus mode: Autofocus.
3. Source of light: 3-level adjustable Fill light .
4. Power supply mode: USB power supply.
5. Scan Size:  $\leq$ A3(297mm×420mm/11.693 x 16.535 in).

## 1.5 Packaging and Accessories

Document Camera, Quick Start Guide, power adapter, Warranty Card.

# Chapter II Operation Guides

## 2.1 Software Installation

The supported systems are XP/Win7/Win8/Win10/Win11/32-bit/64-bit system, and For macOS 10.13 and later versions.

Visit [www.czur.com](http://www.czur.com), go to the Download Software section, select your device model, download and install the software. For software installation steps, refer to the installation prompts.

## 2.2 Preparation before Use

1. Download and install [CZUR Visualizer] from <https://www.czur.com>; Click “Download Software” at right top corner of CZUR’ s website page and find [CZUR Visualizer]to download;
2. Plug and play: Simply place Fancy on a flat surface, connect it to your PC with the USB cable, and open [CZUR Visualizer] software, which can detect your device automatically.Then You are good to start;
3. [Optional] For the users who have heavy SCANNING and DIGITALIZATION needs, please download [CZUR Fancy].

# Chapter III FAQs and Troubleshooting

## 3.1 The power indicator does not work. What can I do?

Check whether the USB cable is properly connected to the computer, and whether the computer's USB port works well.

You are always welcomed to CONTACT US AT: [support@czur.com](mailto:support@czur.com)

## 3.2 The software cannot be installed or an error occurs. What can I do?

- 1) The supported systems are XP/Win7/Win8/ Win10, Win11, 32-bit/64-bit system, and For macOS 10.13 and later versions.
- 2) Some Anti-virus software may wrongly shut down your camera software. Temporarily close those anti-virus software and whitelist CZUR' s software.
- 3) If you download the software on the official website, make sure that the software has been downloaded successfully and then install it.
- 4) You are always welcomed to CONTACT US AT: [support@czur.com](mailto:support@czur.com)

## 3.3 Unable to take photos normally?

- 1) Reconnect the USB cable or restart the software on the computer.
- 2) Use another USB port on the computer, for the performance of each USB port of a computer can be different.
- 3) Exit anti-virus software, security guards, or defensive back-end software.

- 4) Update and restart driver; Select "Device Manager > Camera" to check if the device "CZUR Fxxxx" is recognized. If a yellow exclamation mark/unknown device appears, right click to update the driver or disable it first and then enable it, and then restart the software to try again.
- 5) Camera Resource of your PC might be taken by other device;Go to the "Device Manager" of the computer to disable other "scanner", "monitor", or "camera" drivers.
- 6) Restart the computer or try with another computer.
- 7) You are always welcomed to **CONTACT US AT: [support@czur.com](mailto:support@czur.com)**

### **3.4 The images taken by the device are blurred. What can I do?**

- 1) Check whether the camera lens is stained or scratched. If there is any stain, wipe the lens gently from the middle to the edge with a soft cotton cloth or lens wipes dabbed with alcohol or lens cleaning solution. Be careful not to squeeze the lens surface, and do not dab too much cleaning solution. Make sure that the wiping cloth is moist, but there is no liquid when you squeeze the cloth. If the lens is still not clean, wipe it several times with new wipes.
- 2) Check whether the light is sufficient. If the light is insufficient, turn on and adjust the fill light till it is suitable for the current scenario.

## **Chapter IV Service and Statement**

Dear users, thank you for using our products. To protect your rights and interests, please peruse and comply with the following standards and statements.



## 4.1 After Sales Services and Warranty

1. All after sales policies of this product are subject to national laws and regulations. You may return the device within seven days after receiving the device if there is quality issue. We offer one-year warranty.
2. The scope of warranty covers only the device. Consumables and external view of the device are not covered by the warranty.
3. When sending the product for repairs, please fill in the Warranty Card and properly pack the device to ensure transportation safety and maintenance quality.
4. We apologize for not to issue notices for subsequent upgrades or version updates of the product. CZUR reserves the right to the final interpretation of the above terms.
5. Exceptions to Warranty
  - 1) The max working temperature of the product is 40°C.
  - 2) Failures or damages caused by incorrect installation or use of the product in environments not in compliance with the requirement as specified for this product (for examples, using the device in environments that are too hot or too humid).
  - 3) Damages caused by using components not from CZUR or when the users attempt to replace components by themselves.
  - 4) Damages caused by natural disasters, accidents, or human factors.
  - 5) Damages caused by inappropriate storage (including damages caused by rats or liquid infiltration).
  - 6) Failures or damages caused by unauthorized repairs, modifications, or abuse carried out by users.
  - 7) Damages caused by repairs carried out by unauthorized repair centers.
  - 8) Other errors and failures caused by software installation or software settings, or problems and failures caused by computer viruses.

## **4.2 Contact**

Contact us for technical support and information in the following ways:

**Email: [support@czur.com](mailto:support@czur.com)**

**Web: [www.czur.com](http://www.czur.com)**

**Designed and Manufactured by CZUR TECH CO., LTD.**

Email: [support@czur.com](mailto:support@czur.com)

Web: [www.czur.com](http://www.czur.com)